

PRODUCT INFORMATION PACKET

Modal No: 5K49KN4142
Catalog No: K286
3/4, 1725, TENV, 56, 3/60/208-230/460
Fan and Blower



Regal and Marathon are trademarks of Regal Beloit Corporation or one of its affiliated companies.
©2017 Regal Beloit Corporation, All Rights Reserved. MC017097E

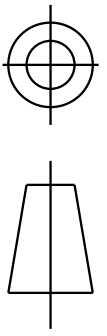


Nameplate Specifications

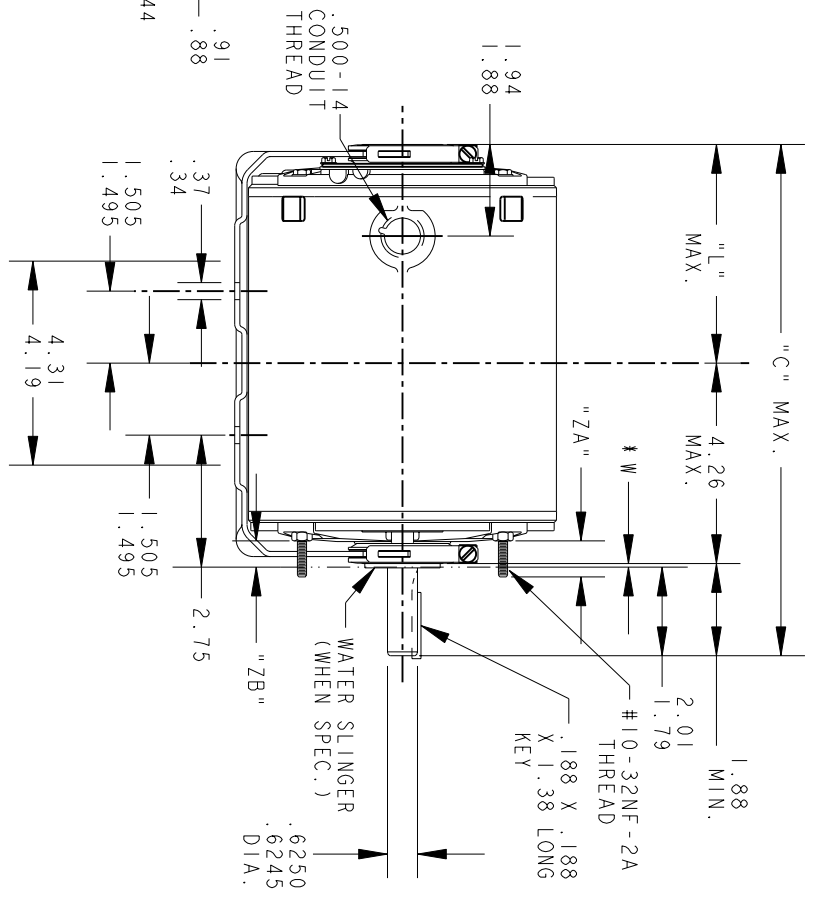
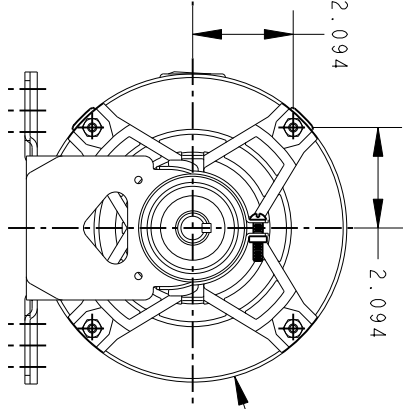
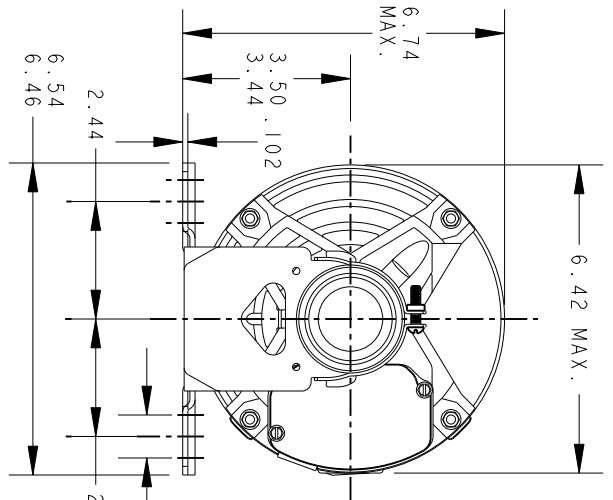
Output HP	0.75 Hp	Output KW	0.56 kW
Frequency	60 Hz	Voltage	208-230/460 V
Current	3.3-3.0,1.5 A	Speed	1725 rpm
Service Factor	1	Phases	3
Efficiency	74 %	Duty	CONT
Insulation Class	B	Design Code	M
KVA Code	K	Frame	56
Enclosure	TENV	Overload Protector	N/R
Ambient Temperature	40 °C	Drive End Bearing Size	6203
Opp Drive End Bearing Size	6203	UL	Recognized
CSA	Yes	CE	N

Technical Specifications

Electrical Type	Three Phase	Starting Method	N/R
Poles	4	Rotation	CCW/CW
Mounting	RB	Motor Orientation	ANY
Drive End Bearing	BALL	Opp Drive End Bearing	BALL
Frame Material	Rolled Steel	Overall Length	10.48 in
Frame Length	6.15 in	Shaft Diameter	0.63 in
Shaft Extension	1.88 in	Thru-bolts Extension	0



REV.	DESCRIPTION	DATE	APPROVED
1	ADDED WATER SLINGER.	09/21/95	M.D. PAPE
2	CHG TO RBC FORMAT PER IS05-11777	03/23/06	SUDHA



* W IS A VARIABLE CLEARANCE DUE TO VARIATIONS IN PARTS AND ASSEMBLY

VIEW OF P.E. END SHIELD

ALL DIMENSIONS ARE IN INCHES

P	TYPE	GE SIZE	NEMA FR.	"C"	"L"	"ZA"	"ZB"	MIN. SHELL
4	KH/K	49	56	10.48	4.22	.62	.51/.44	6.15
3	KH/K	49	56	11.48	5.22	.62	.51/.44	7.15
2	KH/K	46	56	10.88	4.62	.62	.51/.44	6.55
1	KC	46	56	10.88	4.62	.62	.51/.44	6.55

SIGNATURES		DATE
MODEL	MA MARKS	09/20/94
DETAIL		
CHECKED		
ENGRG		
MFG		
QUALITY		
ISSUED	M.A.M.	09/20/94
SOLID MODEL: 52A109682		



REGAL-BELOTT CORPORATION

TITLE
GENERAL PURPOSE MOTOR TENV - BALL

BEARING - RESILIENT BASE EXTENDED CLAMP SCREWS FIVE - 40 FRAME REDESIGN

SIZE DRAWING A
SCALE: 0.250 REF. No.:
52A109682

FOR ADDITIONAL INFO REFER TO:
APPLIED PRACTICES
DIMENSIONS ARE IN INCHES

REV 2
SHEET 1 of 1

REVISIONS

REV.	DESCRIPTION	DATE	APPROVED
1	CHG TO RBC FORMAT PER IS05-1777	06/15/06	MADHU
2	RENAMED 113A930_FIG-2 TO 113A930FIG2 PER IS07-0972	05/08/07	MADHU

This document is the property of REGAL-BELOIT CORPORATION ("RBC") including its subsidiaries and divisions and contains proprietary information of RBC. This document is loaned on the express condition that neither the recipient nor any other person shall be permitted to disclose or disseminate the information contained herein without the express written consent of RBC. The recipient shall be held responsible for the return of this document to RBC upon its request. This document shall be restricted to RBC upon its request. This document may be subject to certain restrictions under U.S. export control laws and regulations.

THIRD ANGLE PROJECTION

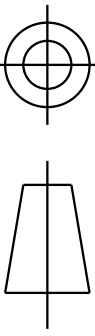
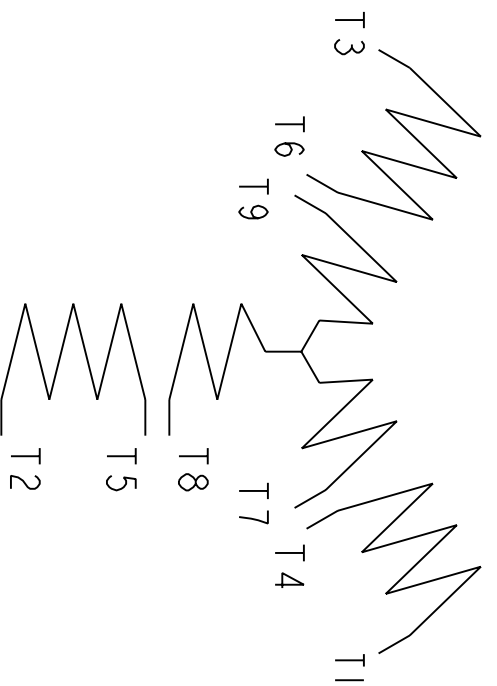


FIG. 2

3 PHASE



	VOLTS	L1	L2	L3	TOGETHER
2Y	LOW	1-7	2-8	3-9	4-5-6
1Y	HIGH	1	2	3	4-7, 5-8, 6-9

BRAKE MOTORS : CONNECT BRAKE LEADS B1 & B2 TO MOTOR LEADS T7 & T8.

FOR ADDITIONAL INFO REFER TO:	SIGNATURES	DATE
APPLIED PRACTICES	M.D. PAPE	02/23/03
DIMENSIONS ARE IN INCHES	DETAIL	.
TOLERANCE ON:	CHECKED	.
1 PL DECIMALS ± 0.1	ENGRG	.
2 PL DECIMALS ± 0.02	MFG	.
3 PL DECIMALS ± 0.005	QUALITY	.
ANGLES ± 1.0	ISSUED	M.D. PAPE
FRACTIONS ±	FINISH	02/23/03
MATERIAL	SOLID MODEL: 113A930FIG2	



REGAL-BELOIT CORPORATION

CONNECTION DIAGRAM

TITLE	SIZE	DRAWING	REV
	A		2
SCALE: 1.000	REF. No:		SHEET 1 of 1